

PLEASE CHECK WWW.MOLEX.COM FOR LATEST PART INFORMATION

Part Number: [1200840017](#)
Status: **Active**
Overview: [ultralock connection system](#)
Description: Ultra-Lock® (M12) 5 Pole, Front Panel Mount Receptacle, 1/2"-14 NPT Mounting Thread, 22 AWG PVC Leads, 0.30M (11.81")

Documents:

[Drawing \(PDF\)](#) [RoHS Certificate of Compliance \(PDF\)](#)

Agency Certification

CSA LR6837

General

Product Family	Industrial Receptacles
Series	120084
IP Rating	IP69K
NEMA Rating	NEMA 6
Overview	ultralock connection system
Product Name	Ultra-Lock® (M12)
Type	Single Ended (pigtail)

Physical

Coupling Type	External Thread
Gender	Male
Keyway	Single
Length	0.30m (11.81")
Material - Component	Nickel-plated Brass
Mounting Thread Size	1/2" - 14 NPT
Orientation	Straight
Panel Mount	Front
Poles	5
Temperature Range - Operating	-25°C to +90°C
Wire Size AWG	22
Wire/Cable Type	UL 1061

Electrical

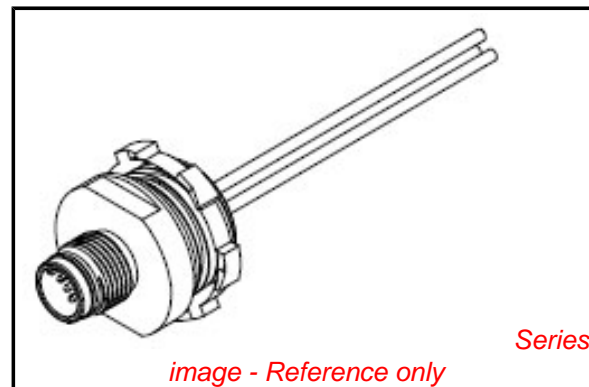
Current - Maximum per Contact	4A
Voltage - Maximum	250V AC/DC

Material Info

Old Part Number	WR5006A18C300
-----------------	---------------

Reference - Drawing Numbers

Sales Drawing	SD-120084-028
---------------	---------------



EU RoHS

**ELV and RoHS
Compliant**
**REACH SVHC
Not Reviewed**
**Halogen-Free
Status
Not Reviewed**

China RoHS

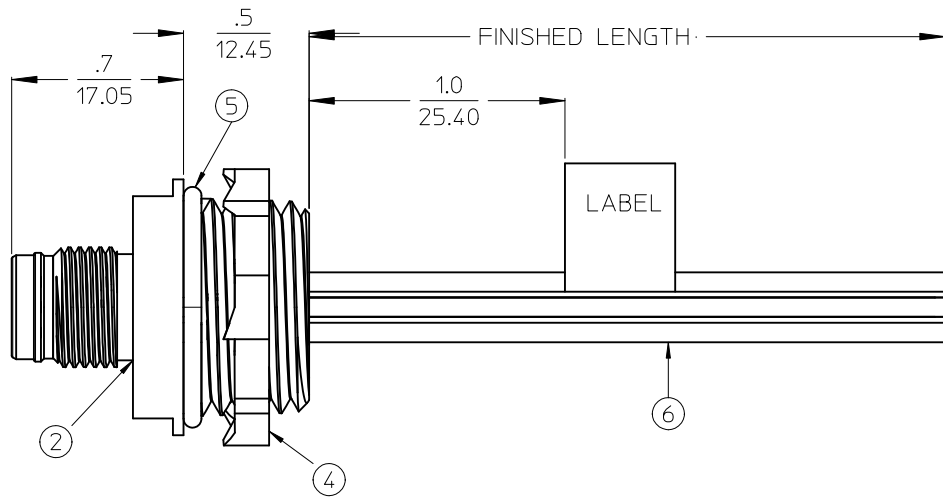
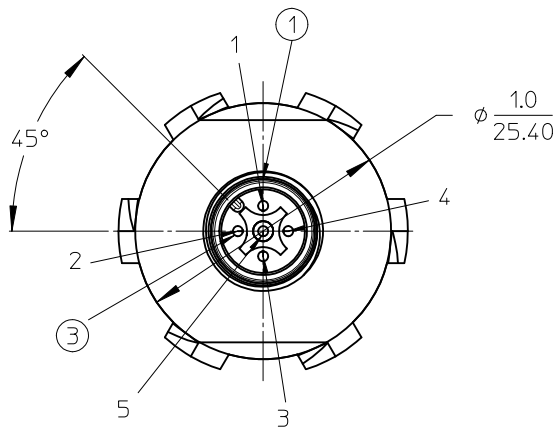


**Need more information on product
environmental compliance?**

Email productcompliance@molex.com
 For a multiple part number RoHS Certificate of Compliance, [click here](#)

Please visit the [Contact Us](#) section for any non-product compliance questions.

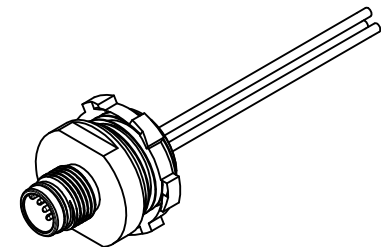
Search Parts in this Series
[120084Series](#)



- 1 - BROWN
- 2 - WHITE
- 3 - BLUE
- 4 - BLACK
- 5 - GREY

ITEM	COMPONENT	MATERIAL	FINISH
1	INSERT	PA	BLACK
2	HOUSING	BRASS	NICKEL PLATED
3	CONTACT	BRASS / GOLD	CuZn Ni/ Au
4	LOCK NUT	STEEL	ZINK PLATED
5	O-RING	NBR	BLACK
6	WIRES	COPPER/PVC	SEE TABLE

POLE	MATERIAL NO	ENGINEERING NO	FINISHED LENGTH
4	1200840008	WR4006A18C300	300 mm
5	1200840017	WR5006A18C300	300 mm



VOLTAGE RATING: 250 VAC/VDC
 AMPERAGE RATING: 4A
 PROTECTION CLASS: IP 67/68/69K
 OPERATING TEMPERATURE: -25°C / 90°C
 UL CERTIFICATION: FILE NO. E152210
 CSA CERTIFICATIONS: FILE NO. LR6837

ENTER DESCRIPTION EC NO: WEU2010-0369 DRWN: NSTAUDIGEL 2010/02/17 CHKD: 2010/02/19 APPR: FPACHER 2010/02/24	QUALITY SYMBOLS	GENERAL TOLERANCES (UNLESS SPECIFIED)	DIMENSION STYLE	SCALE	DESIGN UNITS	THIRD ANGLE PROJECTION	
	▽=0 ◻=0	mm INCH	IN/MM	2:1	INCH		
		4 PLACES ± --- ± --- 3 PLACES ± --- ± --- 2 PLACES ± 0.05 ± --- 1 PLACE ± 0.1 ± ---	DRAWN BY DATE NSTAUDIGEL 2010/02/17	TITLE	M12 UL 4/5P MALE REC BACK 1/2NPT		
		ANGULAR ± ---°	CHECKED BY DATE DATE	APPROVED BY DATE FPACHER 2010/02/19	MOLEX INCORPORATED		
	DRAFT WHERE APPLICABLE MUST REMAIN WITHIN DIMENSIONS	MATERIAL NO.	DOCUMENT NO.		SD-120084-028		
1	REV	SIZE A3		THIS DRAWING CONTAINS INFORMATION THAT IS PROPRIETARY TO MOLEX INCORPORATED AND SHOULD NOT BE USED WITHOUT WRITTEN PERMISSION			
				SHEET NO.		1 OF 1	